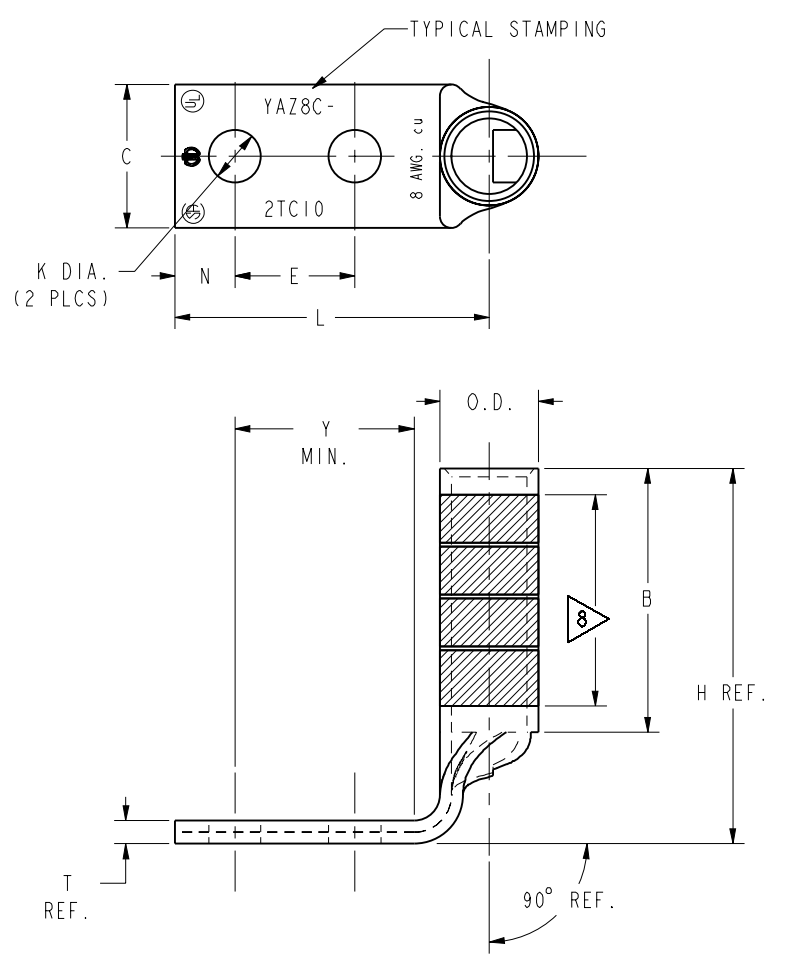
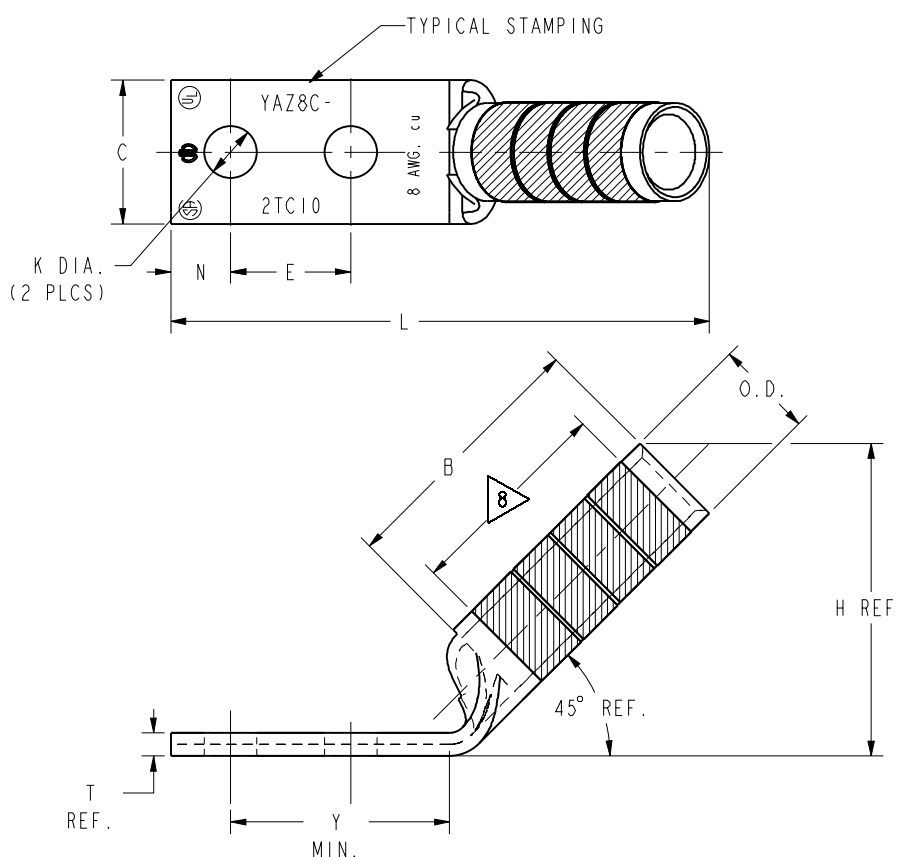
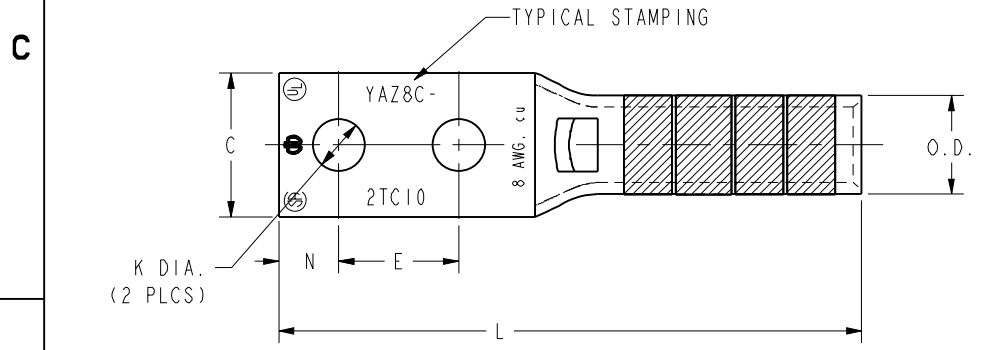


| REV | DATE | DESCRIPTION | ECO | BY | C'H'K. |
|-----|------------------------|--------------|-------|-----|--------|
| B | 02/01/2016 09:30:00 AM | NOTE 9 ADDED | 41185 | BSB | RG |

| CATALOG. NO. | CONDUCTOR | | BOLT SIZE | FIG. NO. | DIMENSIONS | | | | | | | | | | INSTALLATION TOOLING (# CRIMPS) | | | | | | | | | | | | |
|----------------|-----------------------------------|------|-----------|----------|------------|-----------|-----------|-----------|-----------|---------|---------|---------|----------|--------|---------------------------------|------------|-------------|---------|--------------|---------------|-----------------------------|-----|----------------------------|--------------------|-------------------|--|--|
| | CODE (AWG) | NAVY | | | B | C | E | H | K DIA. | L | N | O.D. | T REF. | Y MIN. | DIE INDEX | COLOR CODE | MECHANICAL | | | HYDRAULIC | | | | DIELESS (# CRIMPS) | WIRE STRIP LENGTH | | |
| | | | | | ±.06 | ±.04 | ±.02 | MAX. | ±.02 | ±.09 | ±.04 | ±.01 | | | | | MD7-34R MD6 | OUR840 | Y8MRB-1 Y2MR | BC1500 Y500CT | Y750 Y35, BAT35 Y39, BAT750 | Y46 | Y45 | | | | |
| YAZ8C2TC10 | #8 AWG [10mm ² STR] | 23 | #10 [M5] | 1 | .75 [19] | .41 [10] | ---- | .21 [5] | 2.07 [52] | .25 [6] | .27 [7] | .08 [2] | .90 [23] | 49 | RED | | | RED (2) | | | | | MECHANICAL: MY29-11 (1) | 7/8 | | | |
| YAZ8C2TC1045 | | | | 2 | | .62 [16] | .91 [23] | 2.00 [51] | | | | | | | | | | | | | | | | | | | |
| YAZ8C2TC1090 | | | | 3 | | 1.00 [25] | 1.37 [35] | | | | | | | | | | | | | | | | | | | | |
| YAZ8C2TC10E2 | | | | #10 [M5] | 23 | 1 | ---- | ---- | 2.19 [56] | | | | | | 1.03 [26] | | | | | | | | | | | | |
| YAZ8C2TC10E245 | | | | | | 2 | .75 [19] | .91 [23] | 2.12 [54] | | | | | | | | | | | | | | | | | | |
| YAZ8C2TC10E290 | #8 AWG [10mm ² STR] | 23 | #10 [M5] | 3 | .75 [19] | .41 [10] | ---- | .21 [5] | 1.50 [38] | .25 [6] | .27 [7] | .08 [2] | | 49 | RED | | | RED (2) | | | | | 7/8 | | | | |



- NOTES:
- MATERIAL: COPPER TUBING.
 - FINISH: TIN PLATED
 - CATALOG # PT6515 ADAPTOR IS REQUIRED TO USE "U" DIES IN Y45 SERIES TOOLS.
 - CATALOG # PUADP-1 ADAPTOR IS REQUIRED TO USE "U" DIES IN Y46 SERIES TOOLS.
 - NAVY CABLE SIZE MAY BE OMITTED ON SOME SIZES BECAUSE OF SPACE LIMITATIONS.
 - PERMANENT DIE IN TOOLING.
 - DIMENSIONS, METRIC WIRE, & METRIC BOLT SIZES IN BRACKETS [] ARE IN MILLIMETERS. DIMENSIONS ARE ROUNDED OFF TO THE NEAREST MILLIMETER, UNLESS OTHERWISE NOTED, AND ARE FOR REFERENCE ONLY.
 - OVERLAP 2 CRIMPS AS NEEDED WITHIN THE LENGTH BETWEEN THE INK STAMPED CRIMPING AREA.
 - THESE CATALOG NUMBERS CANNOT BE INSTALLED WITH U8CRT DIE.

| | | |
|--|------------------------|-----------------------|
| TO ORDER BURNDY® PRODUCTS CALL UNITED STATES 1-800-346-4175 (LONDONDERRY, NH) CANADA: 1-800-361-6975 (QUEBEC) 1-800-387-6487 (ALL OTHER PROVINCES) FOR PRODUCT INFO: http://www.burndy.com | HYLUG™ (TWO HOLE CODE) | |
| | ITEM NO: | N/A |
| | CAT. NO: | YAZ8C-2TC- (TABLE) |
| | DRAWN BY: | D. BOISVERT 11/10/98 |
| | CHECKER: | K. HENRY 12/03/98 |
| | DSN APPVL: | B. MACDONALD 12/02/98 |
| | MFG APPVL: | N/A |
| | QA APPVL: | S. GARY 11/30/98 |
| | MKT APPVL: | B. HARGROVE 11/25/98 |
| | PROD FAM: | -- |
| PROJECT #: | -- | |
| DOCUMENT TYPE: | Sales | |
| REL LEVEL: | Released | |
| DRAWING NO | | SCALE: 4:1 |
| SE211915 | | |
| SHEET 2 OF 36 | | |

REV: PE0200